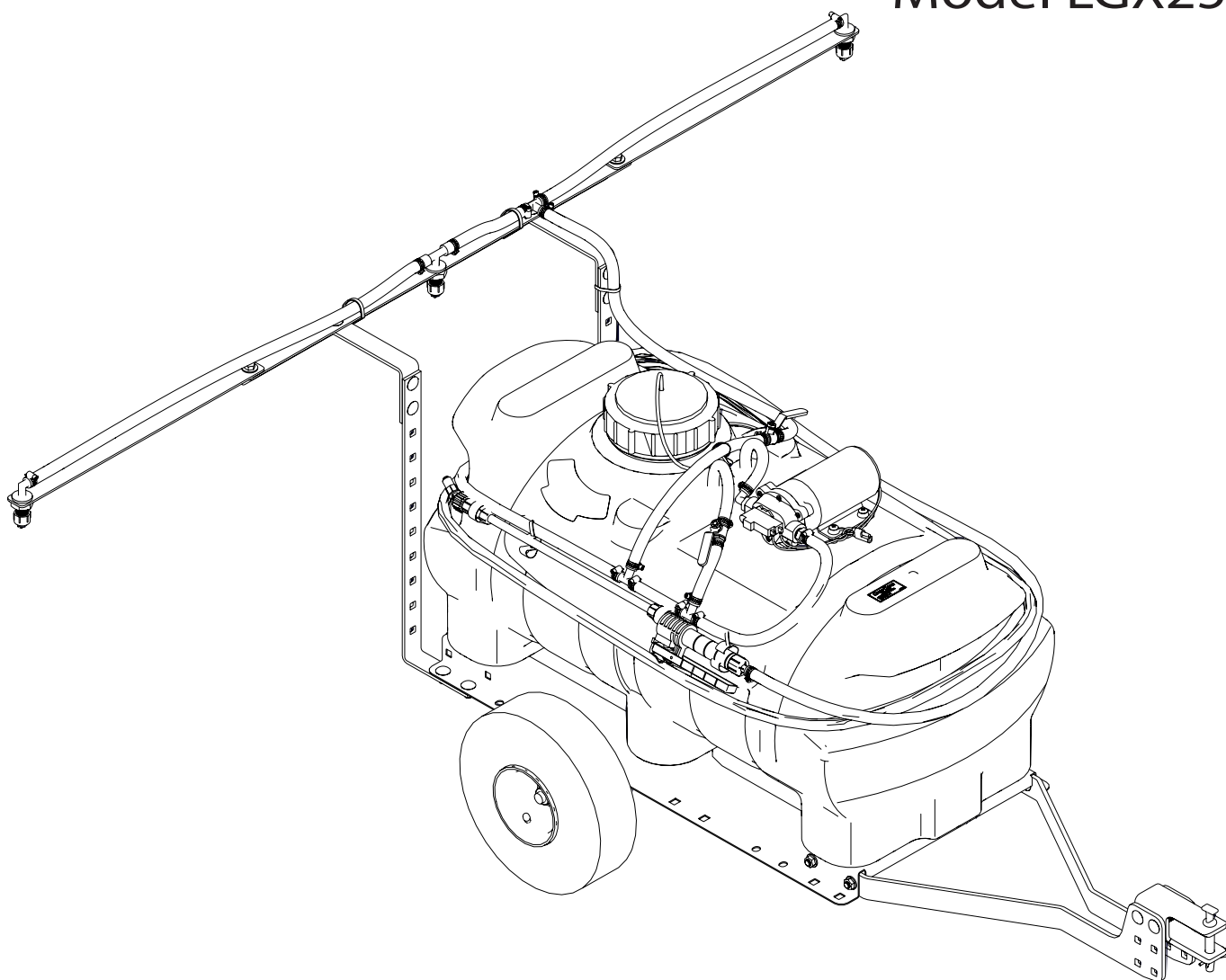




Assembly Manual

25 Gallon Trailer Sprayer Model LGX25-3



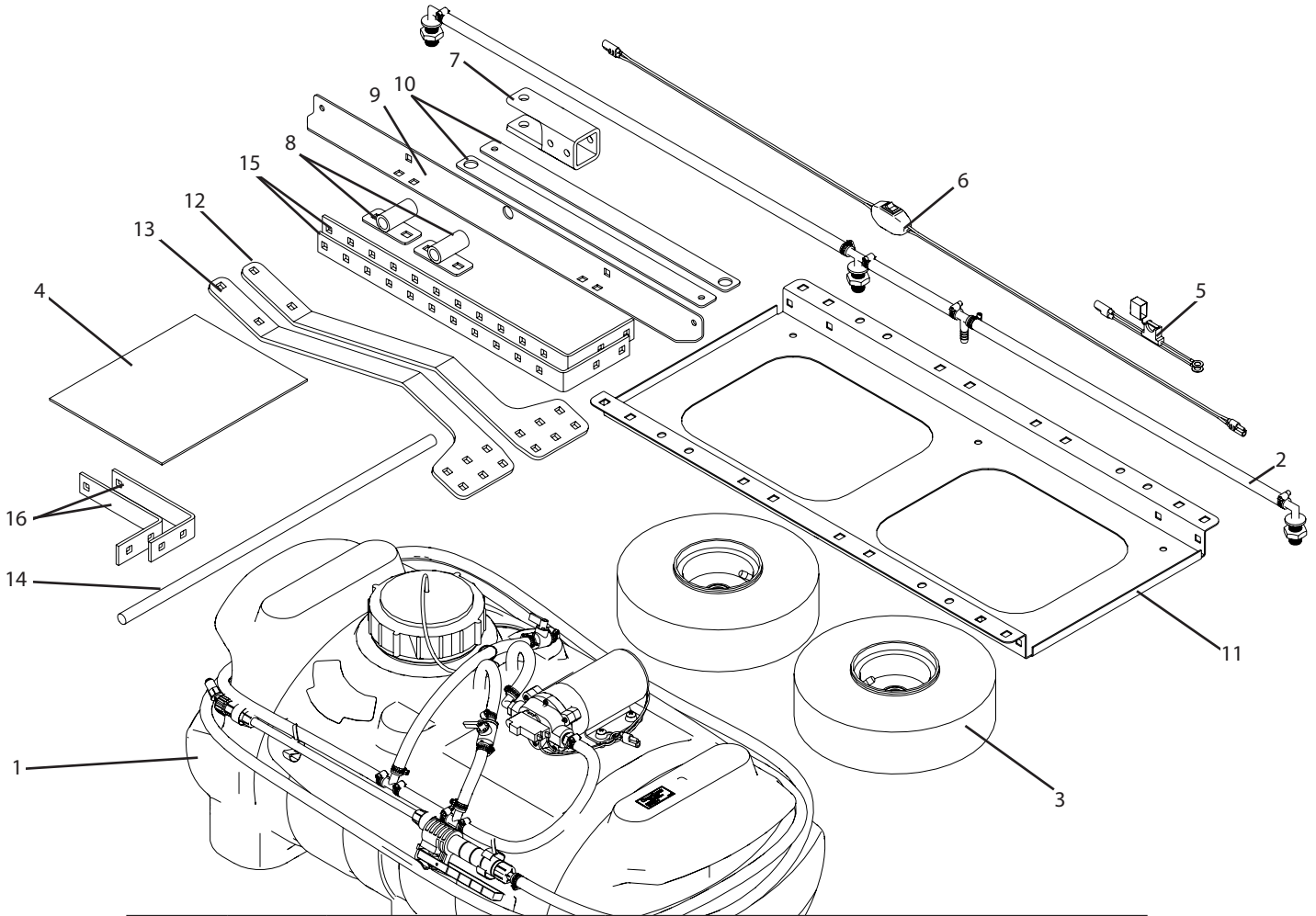
Manufactured by PBZ LLC
A Paul B Zimmerman Inc. Company
www.CropCareEquipment.com

Form: LGX25-3AM
Rev. C Date: 6/22

Assembly Instructions

Box Contents

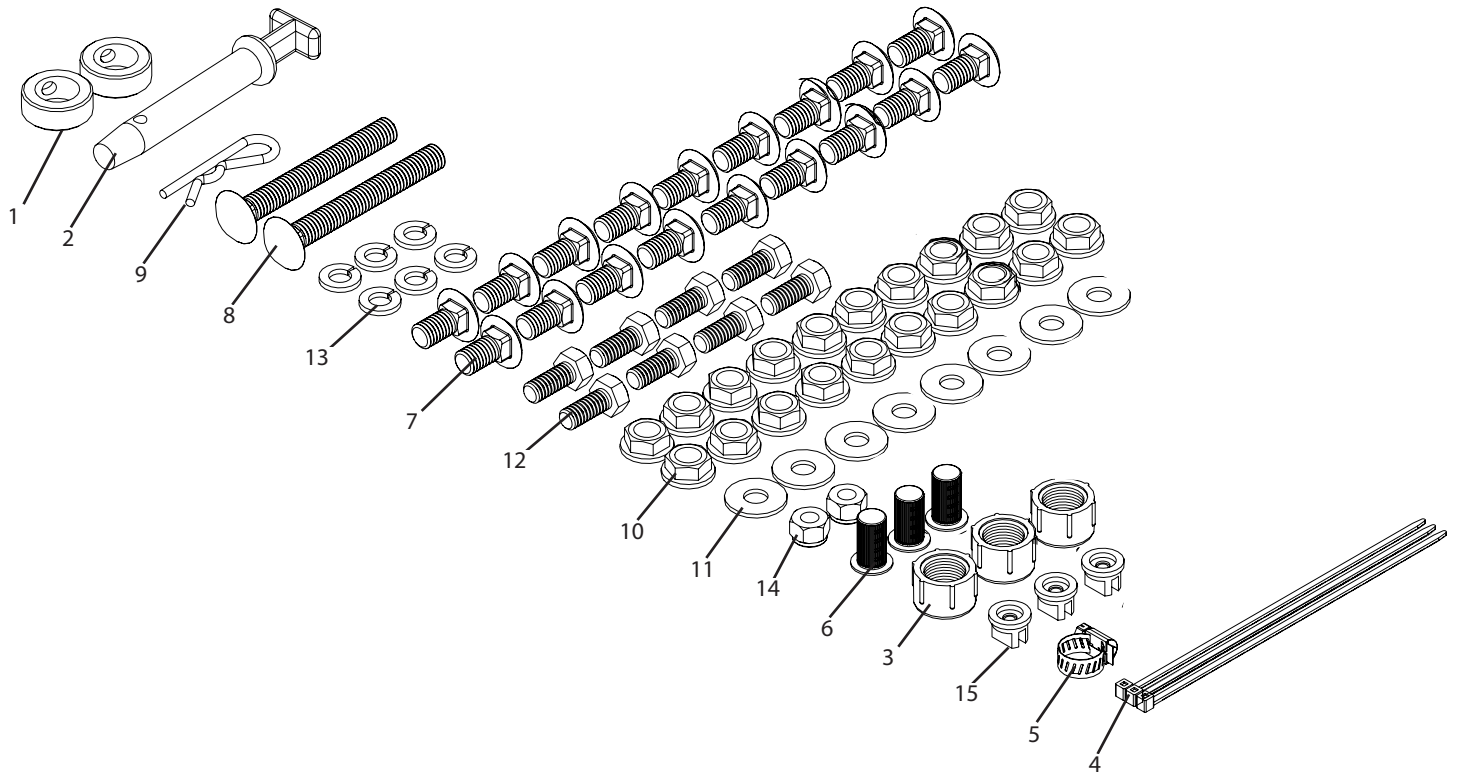
The LGX25 comes partially assembled and requires some assembly. Use the assembly instructions to ensure proper assembly. Before assembling, ensure that the boxes contain the necessary components and parts.



Item	Qty.	Part Number	Description
1	1	Assembled Base Unit	
2	1	Assembled Boom Plumbing	
3	2	354DC-ST242	Wheel 410/350-4 4Ply Stud, 5/8" Ball Bearings
4	1	LGX25-3OM	Manual, Owners LGX25 Trailer Sprayer
5	1	SPT-BCG-1215A-16G	Harness, Battery Connector 14G w/15A Fuse
6	1	SPT-SWH-9615A-16G	Harness, Wiring 8 Ft 14G w/ Switch
7	1	T1423	LGX25 Trailer, Hitch
8	2	T1425	LGX25 Trailer, Axle Bracket
9	1	T1441	LGX25, Boom Center
10	2	T1442	LGX25, Boom Wing
11	1	T1430	LGX25-ATX25 Frame
12	1	T1431A	LGX25 Trailer, Front Hitch Arm, Side A
13	1	T1431B	LGX25 Trailer, Front Hitch Arm, Side B
14	1	T1432	LGX25 Trailer, Axle
15	2	T1438	LGX25 Trailer, Boom Mount
16	2	T1440	LGX25 Trailer, Boom Mount

Assembly Instructions

Hardware Bag Contents

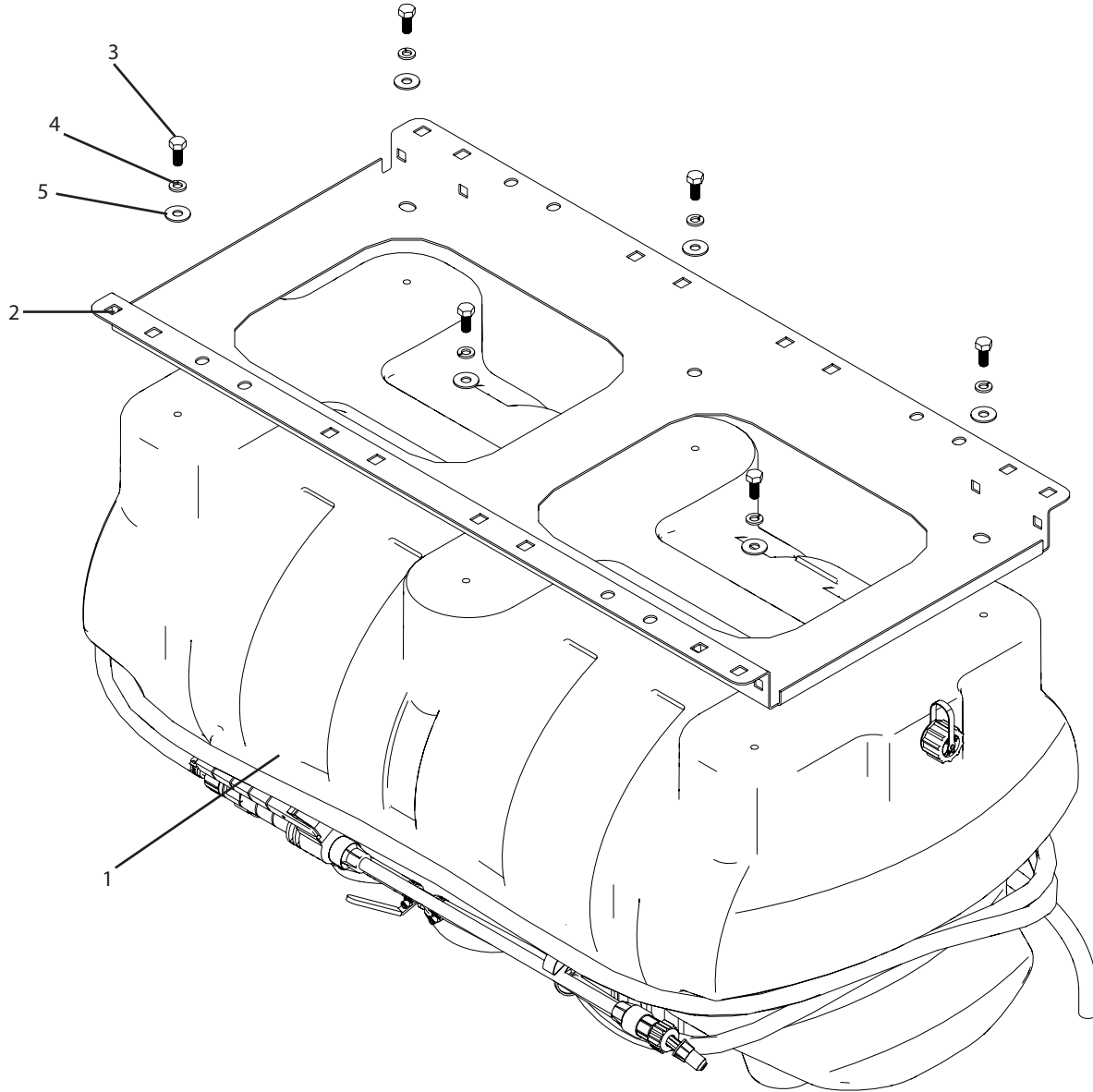


Item	Qty.	Part Number	Description
1	2	0688P	Shaft Collar, 11/16"
2	1	18812	Pin, Hitch T-Handle 1/2" x 2-1/4"
3	3	38027	Cap, Nozzle Tip/barb 11/16-16 UNF Poly
4	3	618UV	Cable Tie, 6" 18 Lb UV Black
5	1	62604052	Hose Clamp, Mini 1/4" - 5/8"
6	3	8079PP50	Strainer, Tip 50 Mesh Blue Poly Body SS Screen
7	18	CB38*34G5	Bolt, Carriage 3/8-16 x 3/4" Gr 5
8	2	CB38*3G5	Bolt, Carriage 3/8-16 x 3" Gr 5
9	1	CP11516	Clip Pin .125" x 1-15/16" 7/16"E
10	20	FN38	Nut, Flange 3/8-16
11	8	FW516	Washer, Flat 5/16"
12	8	H5C516*34	Bolt, Hex 5/16-18 x 3/4" Gr 5
13	6	LW516	Washer, Lock 5/16"
14	2	NNC516	Nut, Lock Nylon 5/16-18
15	3	TP11008VP	Teejet spray tip, flat fan, ceramic, white

Assembly Instructions

Step 1

- Install the base frame onto the bottom of the sprayer tank. NOTE: Tighten the bolts (Item 3) until the lock washer (Item 4) is compressed flat against the flat washer (Item 5), but do NOT tighten more than this to prevent the threads in the tank from stripping.

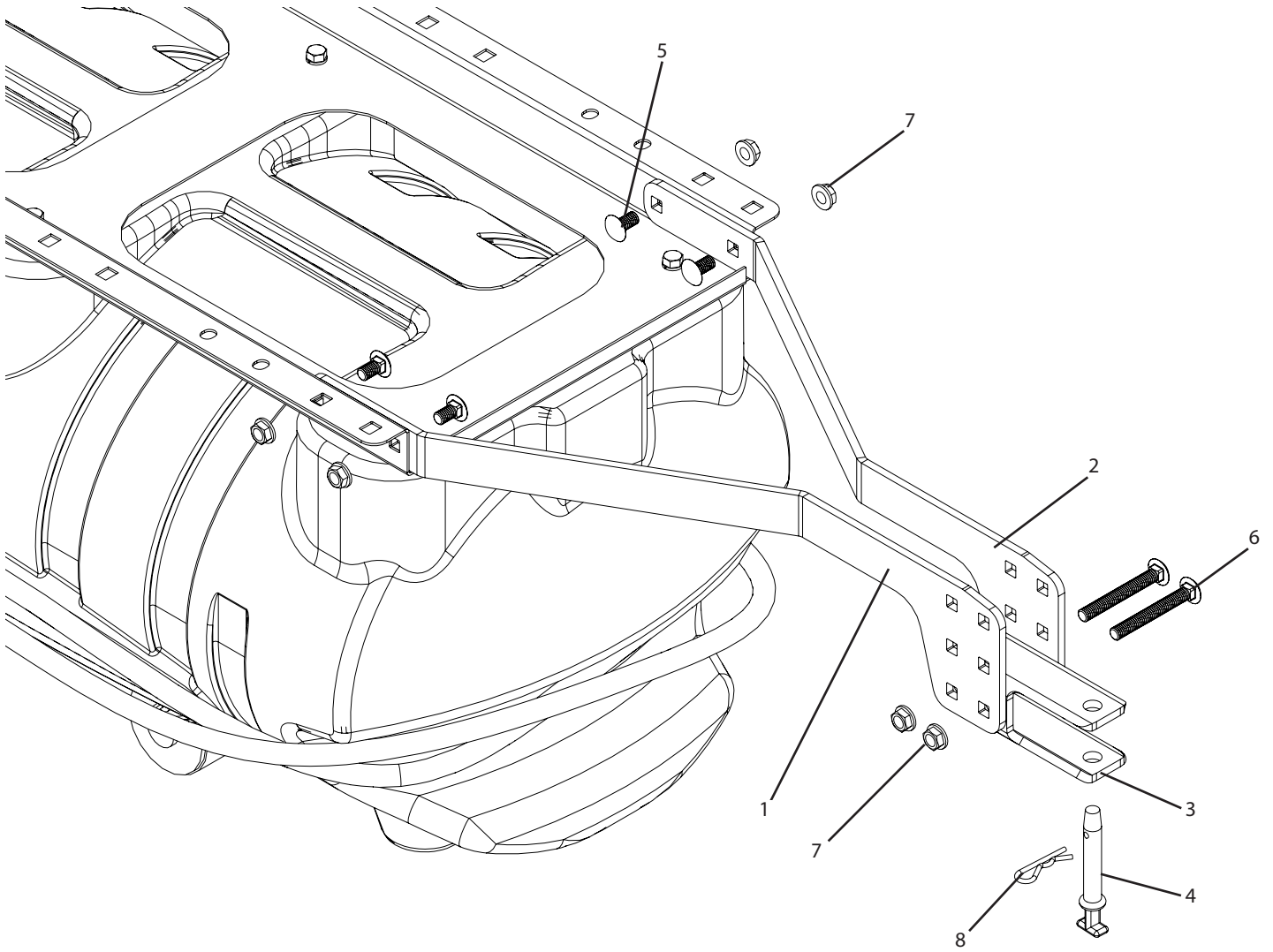


Item	Qty.	Part Number	Description
1	1	Assembled Base Unit	
2	1	T1430	LGX25-ATX25 Frame
3	6	H5C516*34	Bolt, Hex 5/16-18 x 3/4" Gr 5
4	6	LW516	Washer, Lock 5/16"
5	6	FW516	Washer, Flat 5/16"

Assembly Instructions

Step 2

- Install the hitch components onto the base frame. NOTE: Start all bolts before tightening to allow parts to fit easily.
- NOTE: Position the tank and base so that the pump is in the front towards the hitch, and the lid closest to the boom.

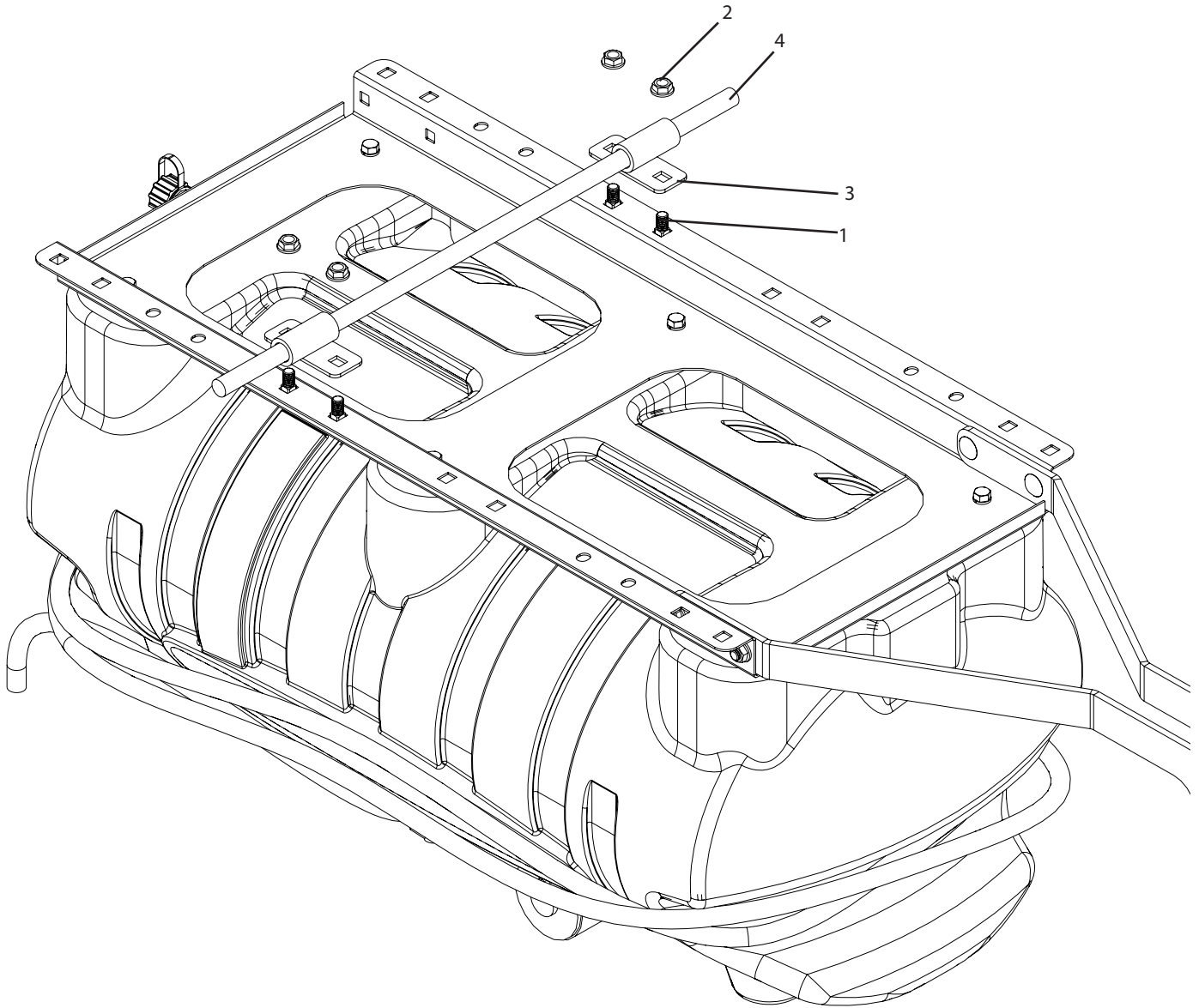


Item	Qty.	Part Number	Description
1	1	T1431A	LGX25 Trailer, Front Hitch Arm, Side A
2	1	T1431B	LGX25 Trailer, Front Hitch Arm, Side B
3	1	T1423	LGX25 Trailer, Hitch
4	1	18812	Pin, Hitch T-Handle 1/2" x 2-1/4"
5	4	CB38*34G5	Bolt, Carriage 3/8-16 x 3/4" Gr 5
6	2	CB38*3G5	Bolt, Carriage 3/8-16 x 3" Gr 5
7	6	FN38	Nut, Flange 3/8-16
8	1	CP11516	Clip Pin .125" x 1-15/16" 7/16"E

Assembly Instructions

Step 3

- Install the axle onto the frame.
- NOTE: The axle mounts are installed in the holes farthest away from the hitch.
- The axle rod is loose until wheels are attached.

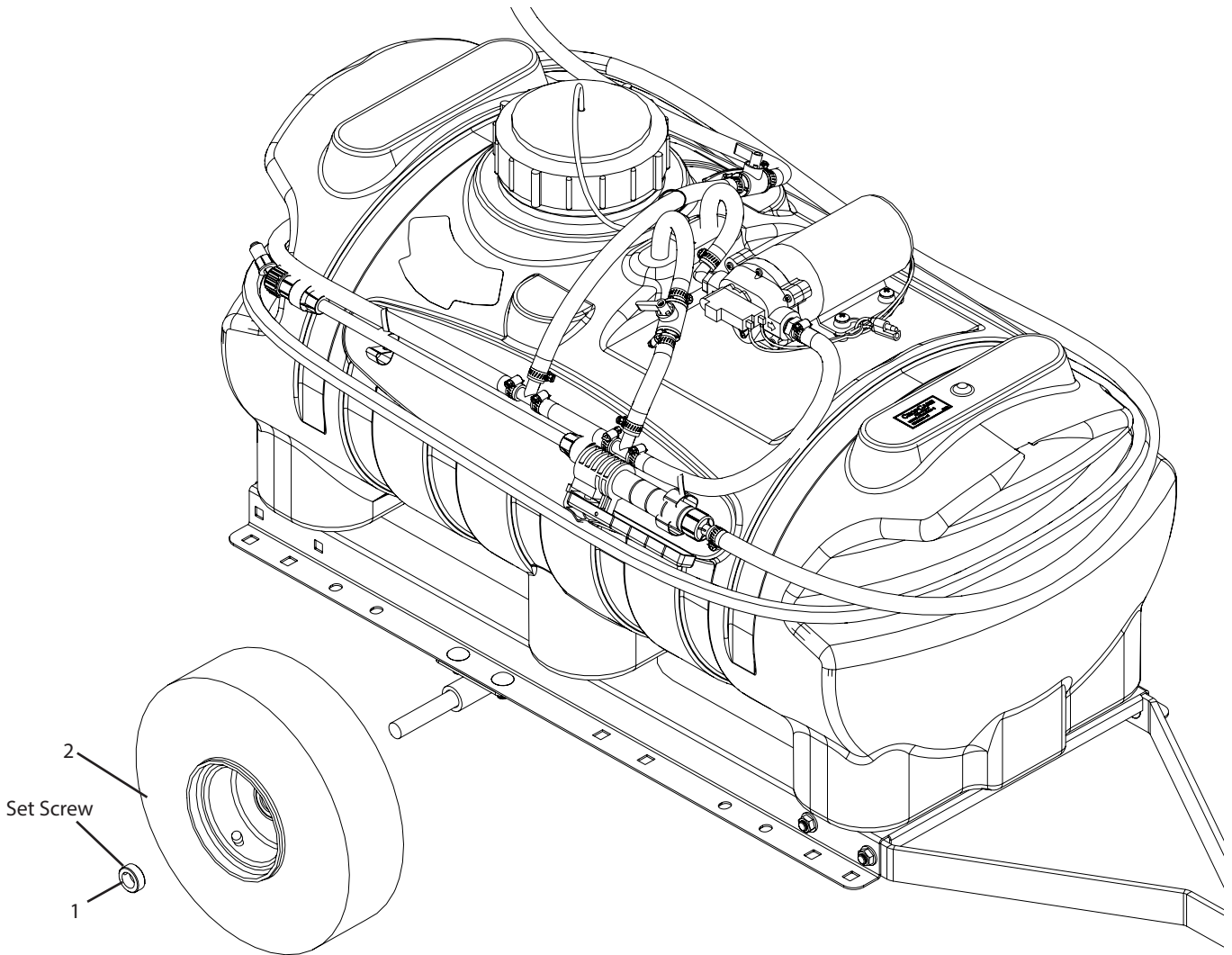


Item	Qty.	Part Number	Description
1	4	CB38*34G5	Bolt, Carriage 3/8-16 x 3/4" Gr 5
2	4	FN38	Nut, Flange 3/8-16
3	2	T1425	LGX25 Trailer, Axle Bracket
4	1	T1432	LGX25 Trailer, Axle

Assembly Instructions

Step 4

- Install the wheels onto the axle. (NOTE: Make sure the valve stem side of the wheel is facing the outward.)
- Using an Allen wrench, tighten set screw in the shaft collars (Item 1) to hold the wheels in place.

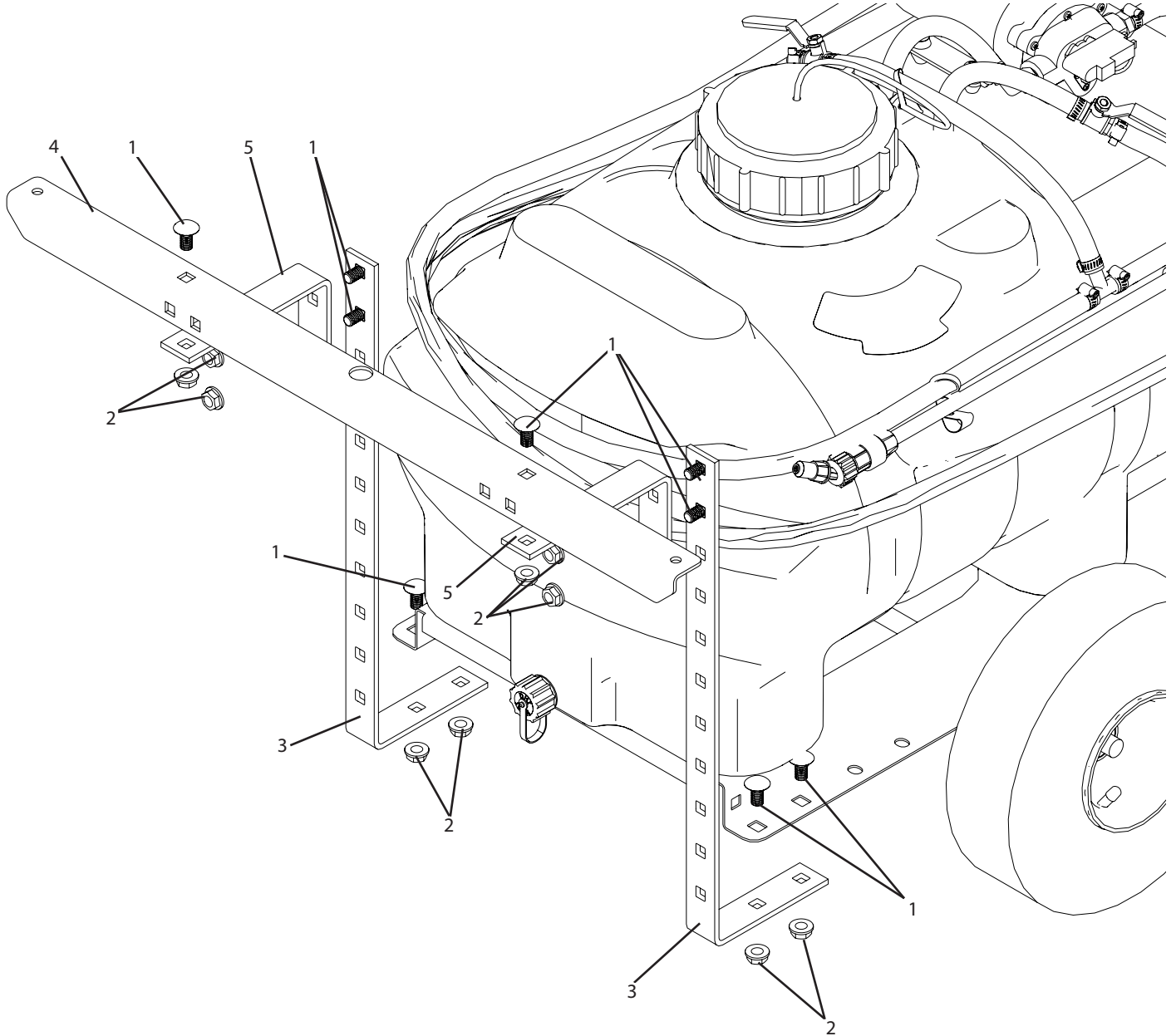


Item	Qty.	Part Number	Description
1	2	0688P	Shaft Collar, 11/16"
2	2	TSP518	Wheel 410/350-4 4Ply Stud, 5/8" Ball Bearings

Assembly Instructions

Step 5

- Install the boom mounting brackets and boom center parts onto the frame.

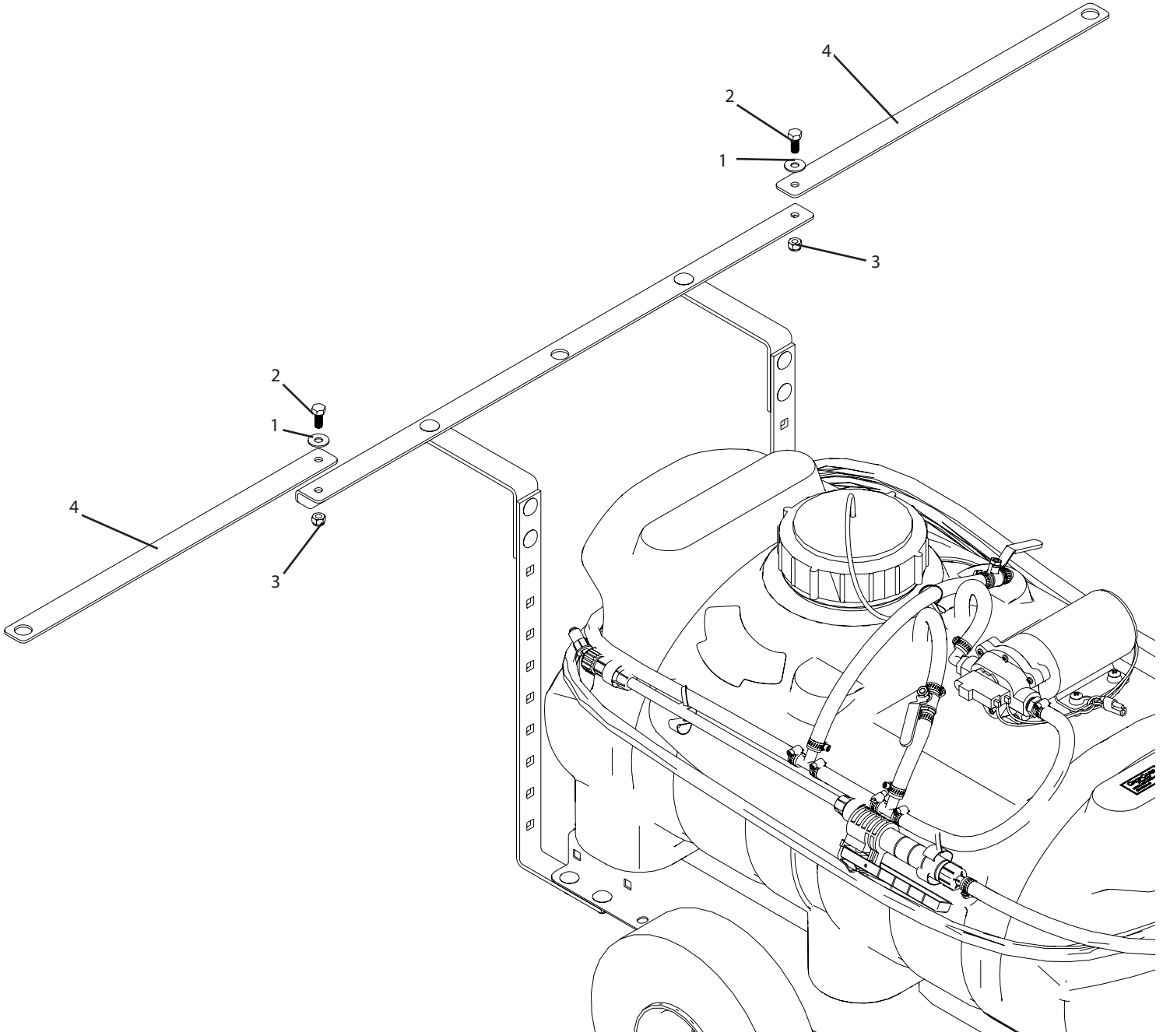


Item	Qty.	Part Number	Description
1	10	CB38*34G5	Bolt, Carriage 3/8-16 x 3/4" Gr 5
2	10	FN38	Nut, Flange 3/8-16
3	2	T1438	LGX25 Trailer, Boom Mount
4	1	T1441	LGX25, Boom Center
5	2	T1440	LGX25, Boom Mount

Assembly Instructions

Step 6

- Install the boom wings onto the boom center section.

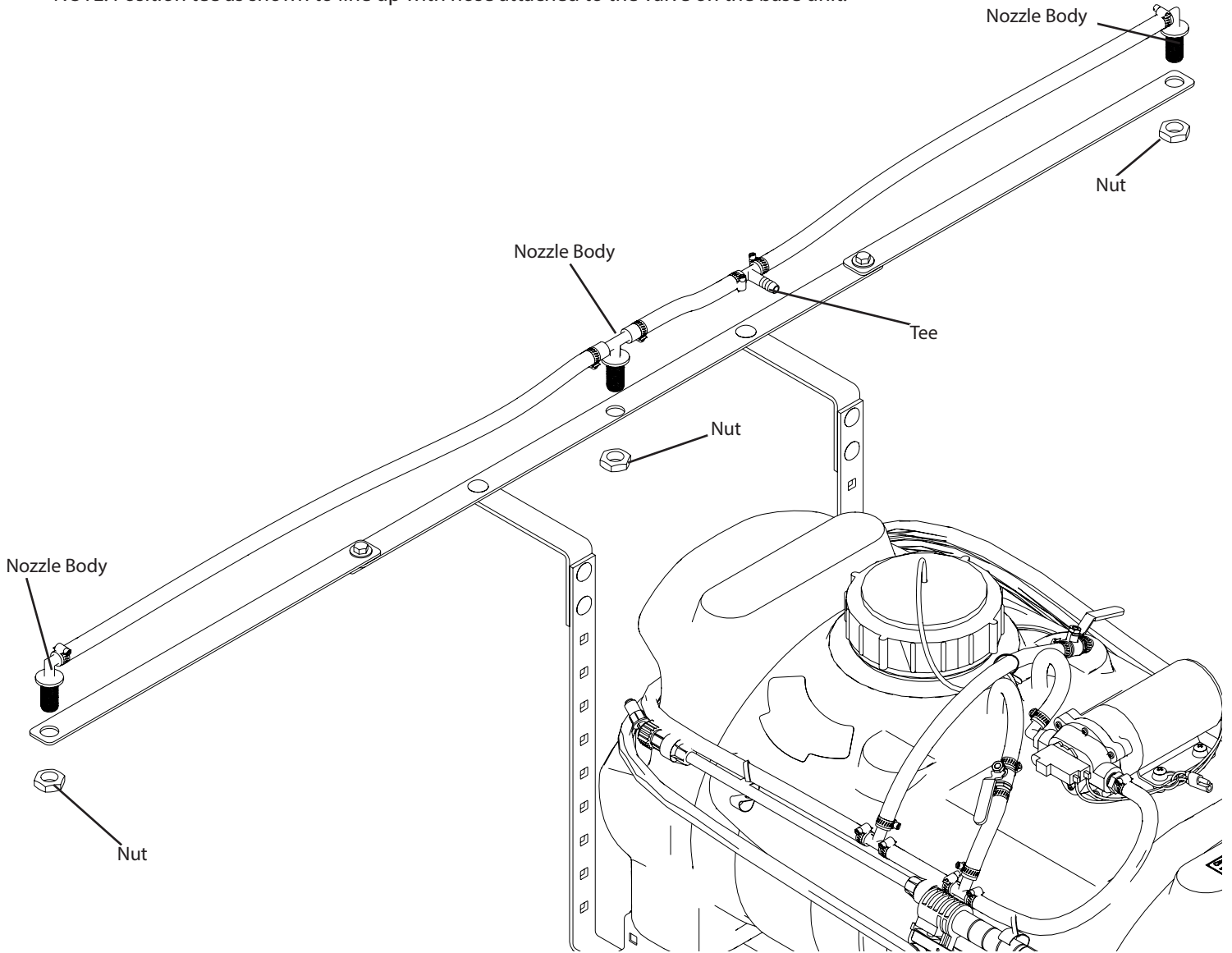


Item	Qty.	Part Number	Description
1	2	FW516	Washer, Flat 5/16"
2	2	H5C516*34	Bolt, Hex 5/16-18 x 3/4" Gr 5
3	2	NNC516	Nut, Lock Nylon 5/16-18
4	2	T1442	LGX25, Boom Wing

Assembly Instructions

Step 7

- Install the boom plumbing onto the boom.
- Remove nut from nozzle body, and use it to tighten the nozzles to the wings.
- NOTE: Position tee as shown to line up with hose attached to the valve on the base unit.

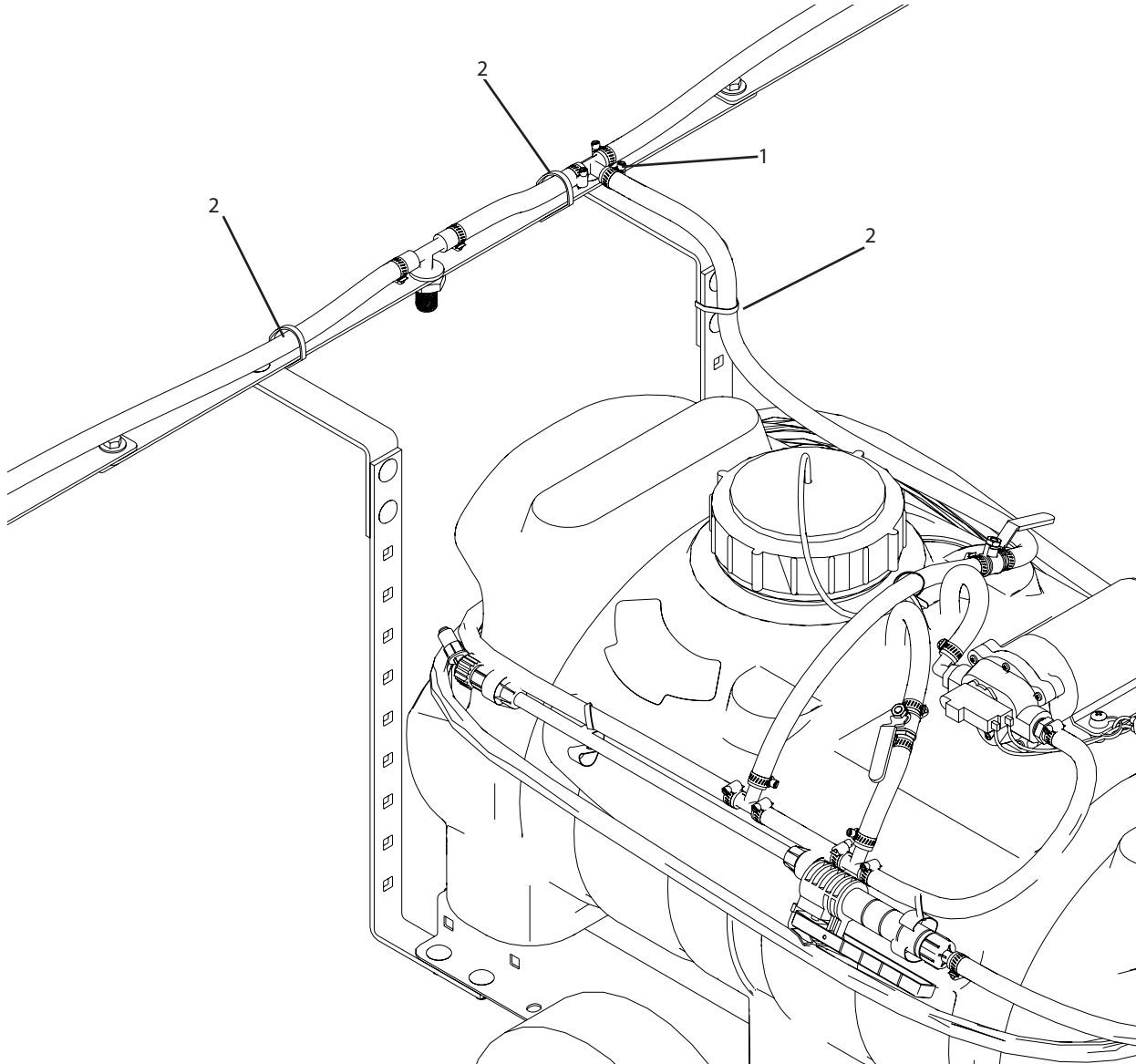


Item	Qty.	Part Number	Description
1	1	-----	Assembled Boom Plumbing

Assembly Instructions

Step 8

- Install the hose that connects to the valve to the tee.
- Install cable ties (Item 2) to secure hoses.

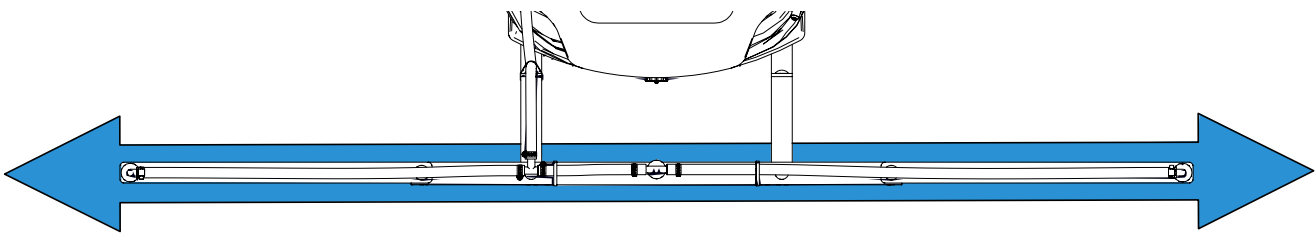
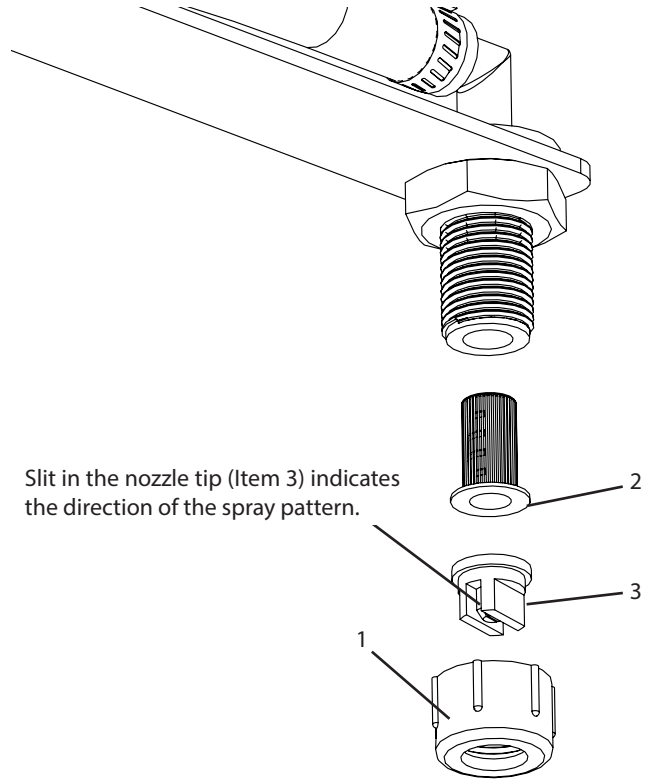


Item	Qty.	Part Number	Description
1	1	62604052	Hose Clamp, Mini 1/4" - 5/8"
2	2	618UV	Cable Tie, 6" 18 Lb UV Black

Assembly Instructions

Step 9

- Install the spray tips. NOTE: Align the tip (item 3) with boom as shown, so that the spray pattern is spread out to the right and left sides, rather than to the front and back of the boom.
- NOTE: If the spray patterns from the tips (Item 3) are hitting the sprayer, angle the tips until the spray pattern clears the sprayer. To adjust the spray tip angle, loosen spray tip cap nut (Item 1). Align spray tip (Item 3) and tighten cap nut (Item 1).



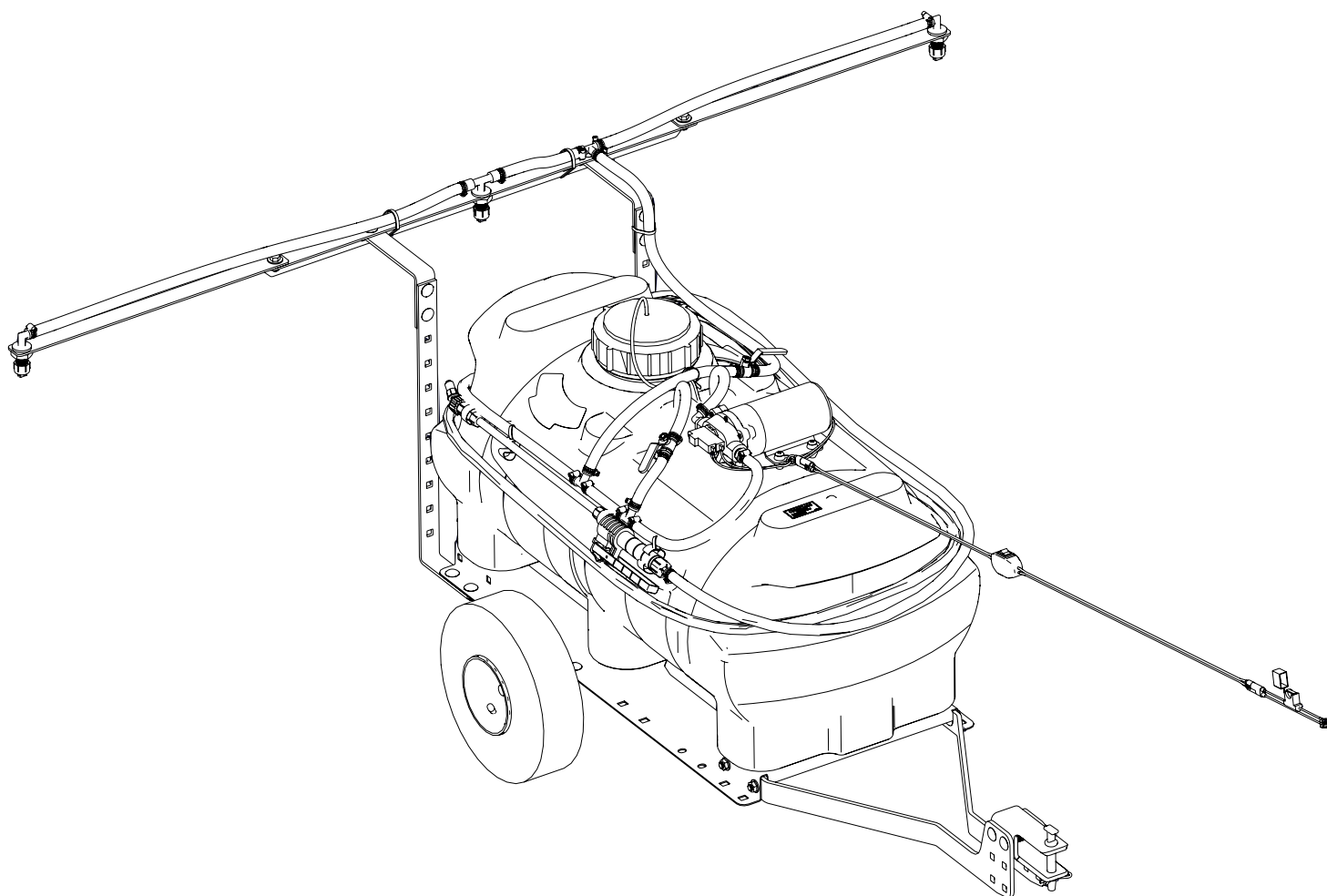
Direction of Spray Pattern
(Turn tip as needed to have spray pattern clear the Sprayer)

Item	Qty.	Part Number	Description
1	3	38027	Cap, Nozzle Tip/barb 11/16-16 UNF Poly
2	3	8079PP50	Strainer, Tip 50 Mesh Blue Poly Body SS Screen
3	3	TP11008VP	Teejet spray tip, flat fan, ceramic, white

Assembly Instructions

Step 10

- Connect to a battery. NOTE: See Owner's manual for specific information regarding the wiring and power requirements for this sprayer.
- NOTE: See Owner's Manual for instructions on sprayer mounting, adjustments, and operation.



Congratulations, your new CropCare® LGX25 Sprayer is assembled and ready for years of use!

Contact us with questions or concerns at:
Info.cropcare@pbzinc.com

Or find additional support materials at:
CropCareEquipment.com